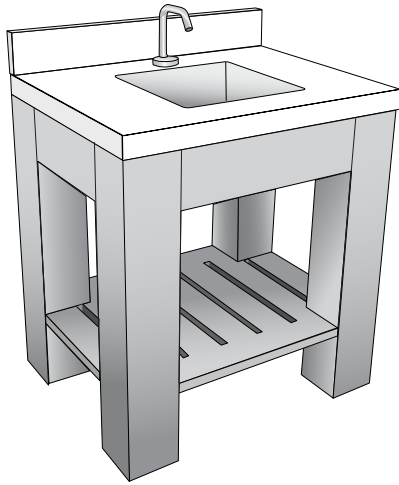


TAKARA

Vanity



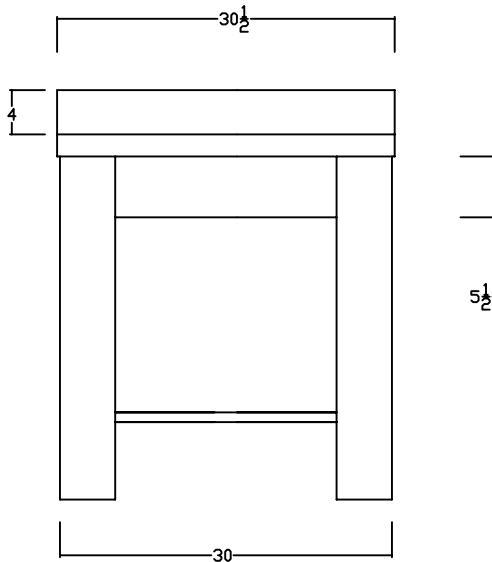
- The Facts:**
- 30.5" x 22.25" outside dim.
 - 12.5" x 12.5" inside dim.
 - 6" depth
 - 33" work height
 - 4" x 1" splash

DEX recommends the
MT-750 no overflow drain.

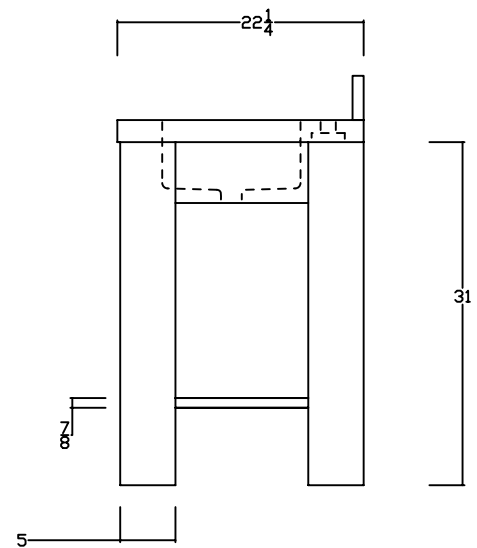
MODEL: V-MO1

VESSEL DIMENSIONS

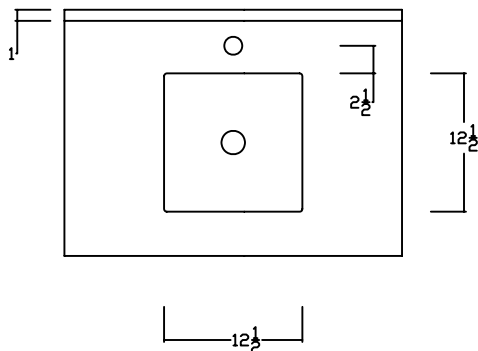
Dimensions are nominal within a tolerance of 1/8" +/-



**FRONT
VIEW**



**SIDE
VIEW**



**PLAN
VIEW**

DEX

www.dexstudios.com