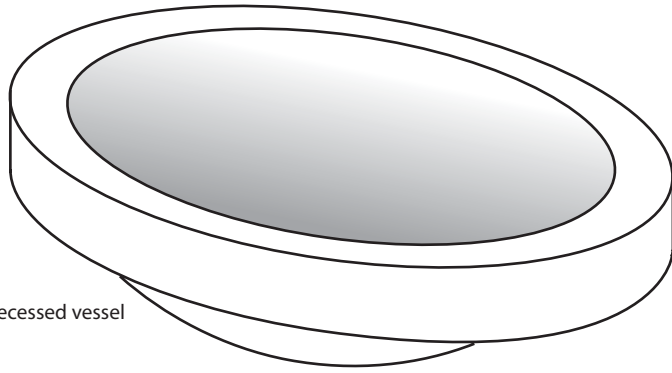


VEGA

Vessel



Recessed vessel

The Facts:

- 17"x22" outside oval
- 13"x18" inside oval
- 6.5" outside depth
- 5.5" inside depth
- 3" height of rim

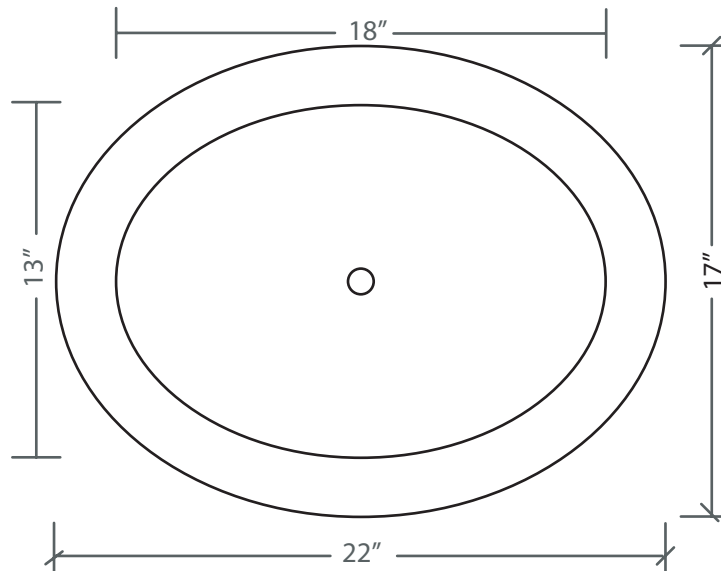
DEX recommends the MT-750 no overflow drain.

MODEL: V-MOD1

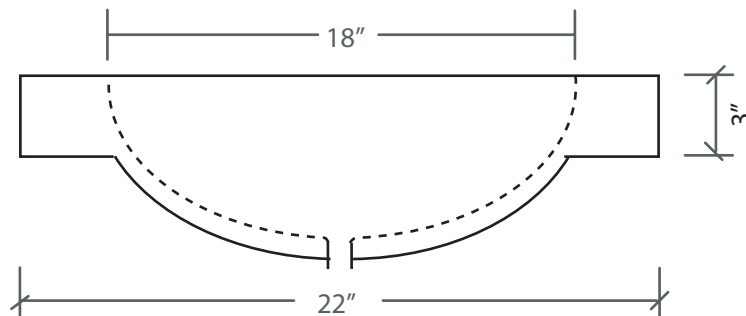
VESSEL DIMENSIONS

Dimensions are nominal within a tolerance of 1/8"

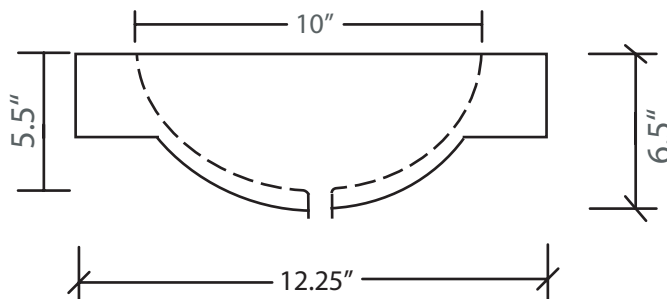
PLAN VIEW



BACK VIEW



SIDE VIEW



DEX